

Tumble dryer

T4300S

Features and benefits

- High productivity – 2 full loads (13,6 kg) per hour per pocket
- Low energy consumption for optimal efficiency and economy
- Selection of temperature and time for easy operation
- Customized user panels for specific user needs – available for Coin, AHL (Apartment House Laundry) and OPL (On Premises Laundry)
- Large door opening for easy loading and unloading
- Easy access to vital parts from front and rear for simple servicing
- Selecta Microprocessor control
 - 2 auto stop programs for extra dry and dry
 - 5 to 9 tailor made programs for any drying need
 - Accurate temperature control for unmatched drying accuracy
 - Anti-crease cycle for avoiding creasing if the dryer is not unloaded
 - Error codes for easy trouble shooting
- Serviceprogram for adjustment of parameters eg. temperature and cool-down time

Main options

- Stainless steel front
- Stainless steel drum
- Residual Moisture Control – RMC
- Reversing drum
- Payment: coinmeter, chipcard reader, central payment connection



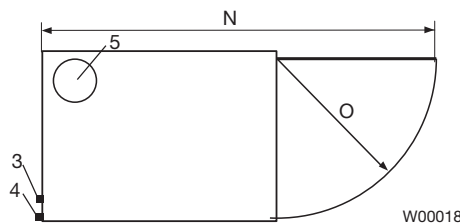
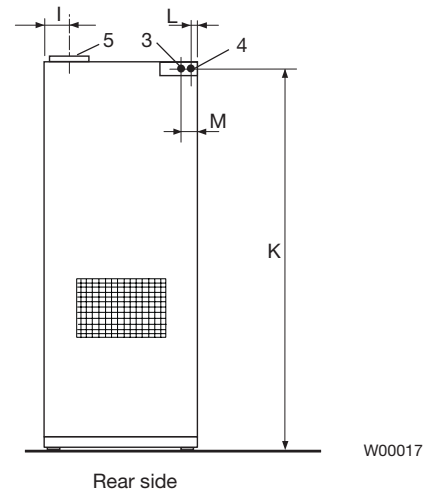
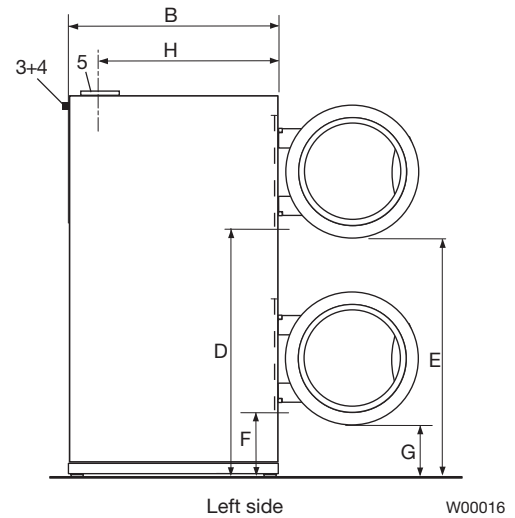
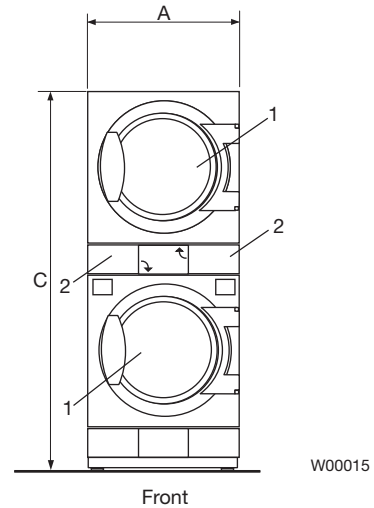
Main specifications			T4300S			
Rated capacity, filling factor 1:18	kg/lb		2 x 16.7/2 x 37			
Rated capacity, filling factor 1:25	kg/lb		2 x 12/2 x 26			
Drum volume	litre		2x300			
Drum diameter	mm		760			
Heating			2 x 71 700 (2 x 21)			
gas	BTU/h (kW)		2 x 9/2 x 13.5/2 x 18			
el	kW					
Consumption data*			Gas	EI 9 kW	EI 13.5 kW	EI 18 kW
Total time at 2 x 13.6 kg	min		21	43	29	24
Energy consumption at 2 x 13.6 kg	kWh		7.11	6.65	6.51	6.51
Evaporation	g/min		329	160	231	279
Energy kWh/litre water evaporated	kWh		1.03	0.96	0.97	0.97

* At rated capacity 100% cotton load at 50% initial moisture dried to 0%.

Certified in accordance with ISO 9001 and ISO 14001 and approved IP X4.

Electrical connections			T4300S
Heating Voltage			
Gas	120V 1AC 60 Hz	kW(A)	2 x 1 (2 x 15)
	208V-240V 1AC 60 Hz	kW(A)	2 (15)
	200V 3AC 50/60 Hz	kW(A)	2 (10)
	230V 1AC 50 Hz	kW(A)	2 (10)
	400V-440V 3NAC 3AC 50/60 Hz	kW(A)	2 (10)
	400V-415V 3NAC 3AC 50 Hz	kW(A)	2 (10)
	400V-480V 3NAC 3AC 60 Hz	kW(A)	2 (10)
EI	230V-240V 3AC 50/60 Hz	kW(A)	2 x 10 (2 x 35)
	400V-415V 3AC 50 Hz	kW(A)	2 x 10 (2 x 16)
	400V-415V 3AC 50 Hz	kW(A)	2 x 14.5 (2 x 25)
	400V-415V 3AC 50 Hz	kW(A)	2 x 19 (2 x 35)
	400V-480V 3AC 60 Hz	kW(A)	2 x 10 (2 x 16)
	400V-480V 3AC 60 Hz	kW(A)	2 x 14.5 (2 x 25)
	400V-480V 3AC 60 Hz	kW(A)	2 x 19 (2 x 35)
Gas and air connections			
Gas	ISO 7/1-R		1/2"
Gas pressure	Natural gas	Pa	2000
		mbar	20
	Propane	Pa	2800-5000
		mbar	28-50
Air outlet		ø mm	200
Evacuated air,	gas/el	m ³ /h	2 x 600
Pressure drop	gas/el	Max. Pa	400
Sound levels			
Airborne sound level		dB(A)	<70
Heat emission			
% of installed power, max			15
Shipping data			
		net, kg	295
		crated, kg	315
		crated, m ³	2.0
Dimensions in mm			
A	Width		790
B	Depth		1110
C	Height		1940
D			1270
E			1210
F			320
G			260
H			925
I			125
K			1930
L			30
M			105
N			1840
O			740
1	Door opening ø 580 mm	4	Gas connection
2	Operating panel	5	Air outlet
3	Electric connection		

* Other voltages available, see installation manual.



Electrolux

ELECTROLUX LAUNDRY SYSTEMS

Lundtoftegaardsvej 93A, DK-2800 Lyngby, Denmark
 Telephone: +45 4526 4800. Telefax: +45 4526 4801
 Internet: www.electrolux.com/laundrysystems
 E-mail: els.info@electrolux.com

The Electrolux Group. The world's No.1 choice.

The Electrolux Group is the world's largest producer of powered appliances for kitchen, cleaning and outdoor use. More than 55 million Electrolux Group products (such as refrigerators, cookers, washing machines, vacuum cleaners, chain saws and lawn mowers) are sold each year to a value of approx. USD 14 billion in more than 150 countries around the world.

Art. No. 438918821/03 05.35
 We reserve the right to alter specifications without notice.